



ePicker

PICKING UP WHERE OTHERS LEAVE OFF



LITHIUM FORKLIFT

EFLX18

CAPACITY 3,700 lbs. up to 130" at 24" load center

BATTERY

UL recognized 48v 360AH Li-Ion battery, capable of fast charging, without gassing or need for maintenance or eye wash stations.

PERFORMANCE

| TRAVEL | LIFT | LOWERING |
|-----------------|---------------------|---------------------|
| 8.75 mph empty | Up to 83 fpm empty | Up to 85 fpm empty |
| 8.50 mph loaded | Up to 55 fpm loaded | Up to 88 fpm loaded |

TIRES

| FRONT | REAR |
|-----------------------------|-----------------------------|
| 17.75" x 8" solid pneumatic | 17.75" x 8" solid pneumatic |

OPERATOR COMPARTMENT

Operator compartment is exceptionally spacious due to purpose-built design for an integrated lithium battery. Ergonomic controls are provided for lift, lower, tilt and sideshift, which are within easy reach of the operator. Visibility is excellent through the wide view mast. Power steering with assist knob, adjustable steering column & adjustable suspension seat ensures comfortable working position and reduced fatigue during operation. Large mirror and overhead guard mounted hand rail aids operator when driving the in the reverse direction of travel. LCD programmable display communicates travel speed, battery discharge information, hour meter, and fault codes.

HYDRAULICS

Hydraulic lift and drive components are sealed against dirt and water protecting them from contamination. Optional 4th valve, with control and hosing is available to support two function attachments.

ELECTRICAL

48v AC controller technology delivers high efficiency and performance while significantly reducing maintenance cost and extending vehicle service life.

Vehicle features weather resistant components and construction to facilitate limited use in outdoor environments.

Battery management system monitors lithium battery performance during operation and charging to help extend battery service life up far longer than traditional lead acid industrial batteries.

DRIVE UNIT AND BRAKES

AC Drive motor delivers smooth torque and speed performance matched to vehicle needs in real-time for peak efficiency and performance. Regenerative neutral braking extends duty-cycle. Vehicle's electromagnetic brakes and lever actuated parking brake ensure effective stopping power during operation and when on rated grades.

FRAME AND MAST

Heavy duty steel chassis features long wheel-base, wide tires and low center of gravity for stable operation. Wide view mast includes an integral side-shift and load back rest (LBR). High seating position gives the operator an excellent view for efficient load handling at ground level and elevation. Integral sideshift as standard equipment. Triple stage wide view masts deliver maximum lift heights of up to 197".

SERVICEABILITY

On-board programmable LCD display allows for troubleshooting and system adjustments without need of tools. Units come pre-wired for optional telematics system that includes cloud based maintenance monitoring, GPS tracking and related data services.

STANDARD FEATURES

- Headlights and brake lights
- Turn signals & back up alarm
- Solid pneumatic tires
- Integral sideshift
- USB accessory charging port
- Reverse travel grab handle with horn
- 480V three phase or 120V charger

OPTIONAL EQUIPMENT

- 4-way hydraulics with no sideshift
- 4-way hydraulics with hang-on sideshift in lieu of integral
- 4-way hydraulics with sideshifting fork positioner

DIMENSIONS

LITHIUM FORKLIFT

EFLX18



UL RATED LITHIUM SOLUTION:

FAST CHARGE, CLEAN POWER, LOW COST

- 4-4.5 hour run time with up to 20% recharge in less than 30 minutes.
- No fumes, watering, or eye wash stations required
- Lowest operating cost of any general purpose forklift

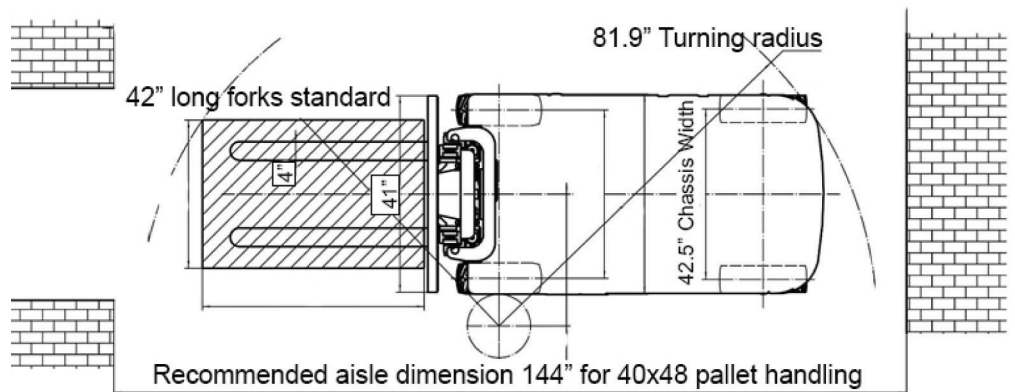
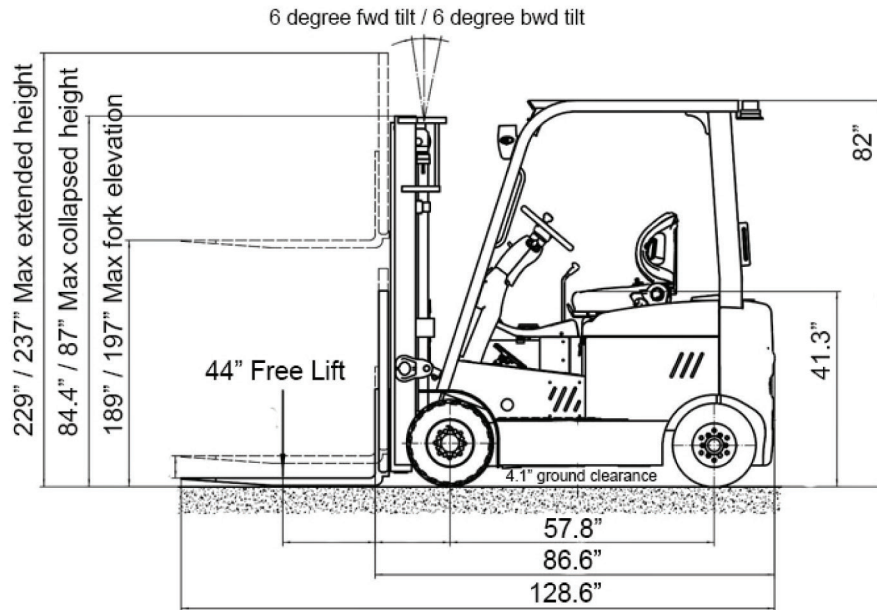
EFLX18 Rated Capacity

3700 lbs. to 130" @ 24" LC
2500 lbs. to 189"/197" @ 24" LC

Gradeability: 10.5% Loaded 14% Unloaded

5 YEAR
10,000 HOUR

LITHIUM BATTERY
WARRANTY



| MODEL# | MAST | LIFT HEIGHT | COLUMN HEIGHT | FREE LIFT | | EXTENDED HEIGHT | | WEIGHT |
|---|-------------|-------------|---------------|------------------|---------------|------------------|---------------|-----------|
| | | A | B | WITHOUT BACKREST | WITH BACKREST | WITHOUT BACKREST | WITH BACKREST | |
| 3700 lbs. Capacity @ 24" load center to 130" with integral sideshift, 2,500lbs capacity to 189" / 197" | | | | | | | | |
| EFLX18-189 | Three Stage | 189 | 84.4 | 65.0 | 44.0 | 208 | 229 | 7370 lbs. |
| EFLX18-197 | Three Stage | 197 | 87.0 | 67.5 | 46.5 | 216 | 237 | 7420 lbs. |