



PICKING UP WHERE OTHERS LEAVE OFF

MID LEVEL ORDER PICKER

JX2-126 / 144



CAPACITY JX2-126: 2,000 lbs. @ 24" LC on forks to 126"

JX2-144: 1,500 lbs. @ 24" LC on forks above 126"

300 lbs. operator compartment

BATTERY INFORMATION

Compartment: 29.1" x 11" x 30"
Minimum battery weight 700 lbs.

PERFORMANCE

Maximum Lift Heights

JX2-126: 132" platform, 126" forks
JX2-144: 150" platform, 144" forks

Maximum Speeds

Travel: Variable from 0 mph to 4.5 mph at ground level, speeds automatically reduced with increased elevation to slow at max height.

Lift: Up to 32 fpm

TIRES/WHEELS

- (1) 10.1" x 4" poly **drive** tire
- (2) 3" x 2" poly **stability** casters
- (2) 6.5" x 4.7" poly **load** wheels

ELECTRICAL

Dual 24-volt ZAPI COMBI AC-0 travel and power steering controllers.

LCD dashboard displays hour meter, battery state of charge, travel speed, drive wheel directional indicator, and fault codes.

AC drive motor provides high torque throughout the entire drive range. The brushless design of the AC motors drastically reduces maintenance costs while extending duty cycle. Travel speed remains constant relative to throttle position regardless of the load on truck.

(4) selectable travel speed settings and a global turtle travel speed setting can be used to tailor equipment performance to the experience level of the operator and use.

MAST

Heavy duty I-beam design provides excellent stability at height. Steel mast channels and side mounted lift cylinders increase total vehicle capacity and service life.

CHASSIS

Three point chassis design with along with 180° drive motor steering arc provides exceptional maneuverability. Powerhead mounted stability casters add additional truck stability and operator confidence at working heights.

OPERATOR COMPARTMENT

Ergonomic fingertip control for travel, lift, and lower functions provide the operator with logical intuitive drive characteristics while traveling at elevation or lowered. The operator compartment is designed for comfort and features an ergonomic floor mat and features a forward and backrest cushion. Retractable compartment siderails allow for easy egress from either side of the vehicle.

REGENERATIVE BRAKES

Regenerative braking is applied when the operator removes their hand from travel control or when plugging occurs. An electromagnetic parking brake is applied after the truck is stopped.

STANDARD FEATURES

- 42" forks with pallet clamp
- Anchor, operator harness & tether
- Overhead guard
- Non-marking tires
- Rear flashing light
- Battery compartment rollers
- Low 9" step height compartment

OPTIONAL EQUIPMENT

- 12 volt accessory power supply
- 24 volt Industrial battery
- 24 volt external charger
- Custom fork lengths

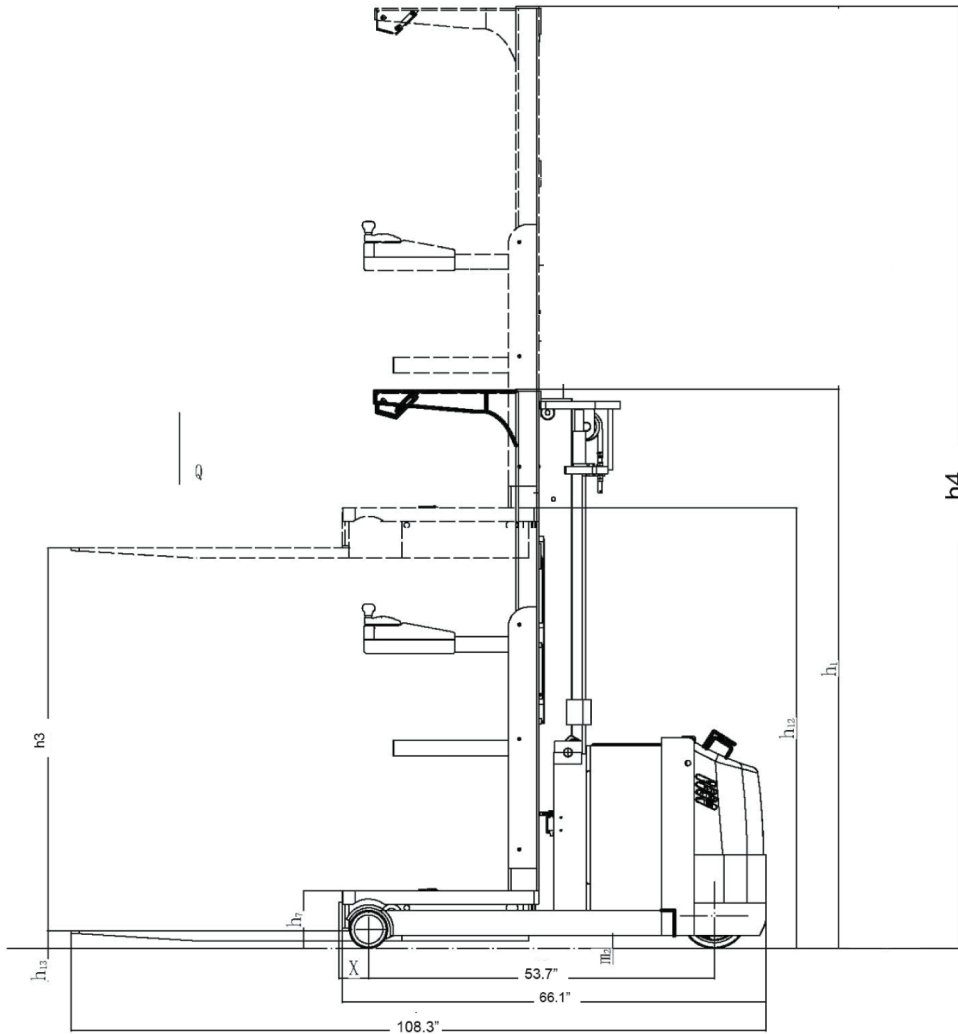
OPERATOR CONTROLS



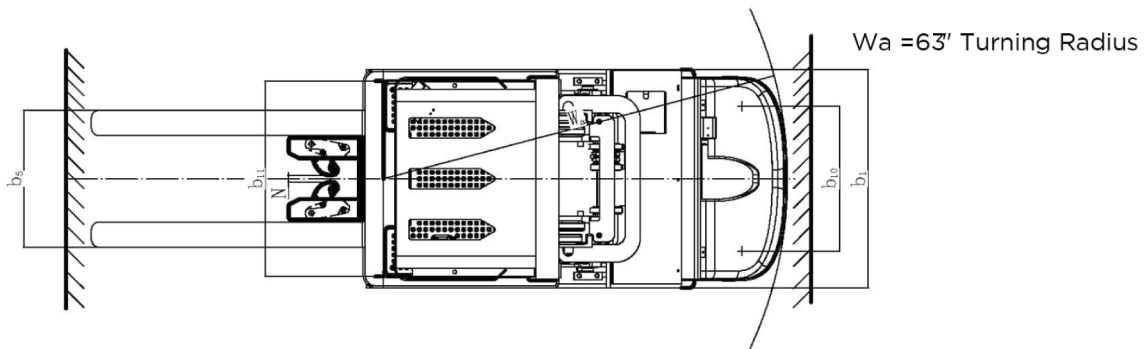
Left Hand



Right Hand



$h7 = 8.75''$ Lowered operator platform height



$Wa = 63'$ Turning Radius

MODEL#	MAST	LIFT HEIGHT	COLUMN HEIGHT	EXT HEIGHT	OVERALL WIDTH	OVERALL LENGTH	³ WEIGHT CHASSIS ONLY
		$h3+h13$	$h1$	$h4$	$b3 / b1$	$L1$	

All measurements in standard "inch" units, for additional specifications or performance details consult factory.

JX2-126	Two Stage	126	89.6	213	34.0	108.3	3500 lbs.
JX2-144	Two Stage	144	94.0	235	34.0	108.3	3800 lbs.

³ Estimated shipping weight without battery