



PICKING UP WHERE OTHERS LEAVE OFF

# WALKIE STRADDLE STACKER

## ES15-128



<b>CAPACITY</b>	3,000 lbs. @ 24" Load Center
<b>INTEGRAL BATTERY CHARGER</b>	(2) 12V 100AH maintenance free batteries with 110VAC smart charger @15A.

### PERFORMANCE

#### TRAVEL

Variable from 0 mph to 3.2 mph empty  
Variable from 0 mph to 3.0 mph loaded

#### LIFT

Up to 42 fpm empty, Up to 30 fpm loaded

#### LOWERING

Up to 26 fpm empty, Up to 30 fpm loaded

### TIRES/WHEELS

#### DRIVE

9" x 3" polyurethane

#### STABILITY

4" x 2" polyurethane

#### DUAL LOAD

(2) 4" x 2.9" polyurethane

### HYDRAULICS

Lift cylinder is hard chrome and provides smooth lifting and lowering. Pump unit includes premium 3kw solenoid fired DC motor and reservoir.

### DRIVE

24-Volt 1.3kw AC drive motor delivers high torque and efficiency to extend duty cycle.

### ELECTRICAL

24-Volt ZAPI AC travel control provides high performance throughout the entire speed range. Travel speed remains constant relative to throttle position regardless of load. Separately fused power control circuits, quick disconnect EPD power cut off, and control head mounted hour meter / battery discharge indicator combination gauge complete the system.

### BRAKES

Electro-mechanical brakes.

### TILLER ARM CONTROL

Offset steer arm provides excellent line of sight for operators and allows them to easily walk astride the vehicle during travel. The off set design also allows the vehicle to comfortably right angle stack standard pallets in aisles under seven feet.

Travel, lift, and lower functions are located in the ergonomic operator handle. All operator controls are accessible without having to lift the hand from the handle.

Angle grips are designed to allow easy operation with either hand. Wrap around guard, reversing switch, thumb control, and horn are standard. Low mounted steer arm offers excellent operator comfort and minimum steering effort.

### FRAME AND MAST

Heavy duty welded steel chassis and I-beam channel mast for added durability and service life. Class II ITA 16" x 32" adjustable carriage comes standard with 42" x 4" x 1.5" forks and 36" load back rest.

Telescoping mast includes a plexiglass mast guard and provides a 128" maximum fork elevation with a single cylinder. When collapsed the mast is a height of 83.8".

4" wide adjustable straddle legs allows for configurations to fit various sized pallets. Straddle leg inside dimension (ID) can be set at 42" to 50" in 4" increments.

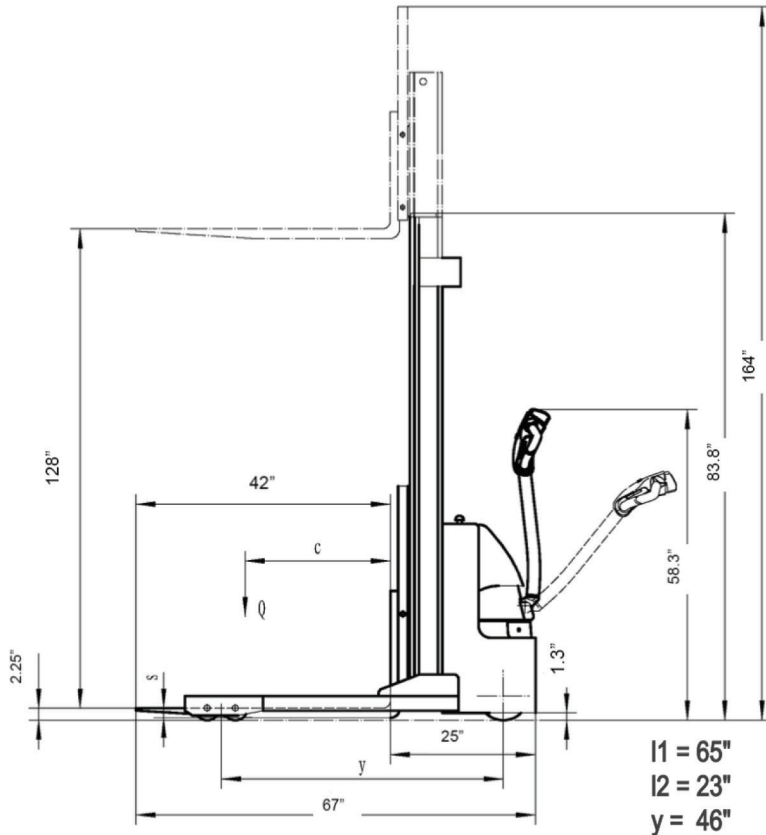
Unit features tandem load wheels with fully enclosed wheel guards and flush mounted axles prevent wheel and axle damage.

### SERVICEABILITY

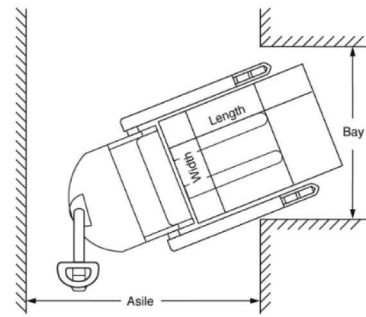
Removable two piece power head cover allows for easy maintenance and access to all vehicle components.

### OPTIONAL EQUIPMENT

Handheld remote lift & lower control box with 3' coiled cord



l1 = 65"  
l2 = 23"  
y = 46"



## Aisle Guide

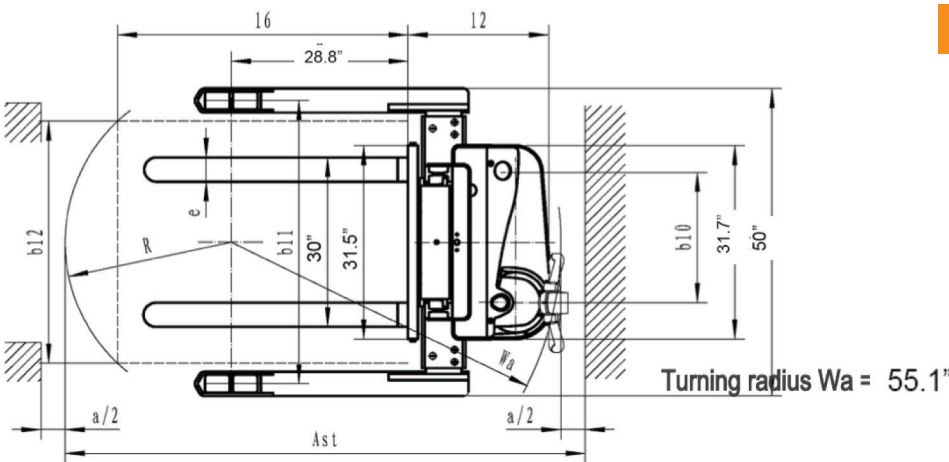
ES15-128 — Right Angle Stacking

LOAD WIDTH	LOAD LENGTH		
	36"	40"	48"
36"	61"	61"	61"
40"	62"	63"	63"
48"	67"	67"	67"

For ease of use add 8" to aisle dimension listed

*Aisle dimensions listed above assume the minimum bay width to be straddle OD plus 5" (2.5" on each either side of straddle leg). Straddle OD is the load width plus 10".*

*Truck performance may vary due to application requirements and changes in model design.*



MODEL#	MAST	LIFT HEIGHT	COLUMN HEIGHT	FREE LIFT	EXT HEIGHT w/ LBR	ADJUSTABLE STRADDLE LEG 4" INCREMENTS		WEIGHT COMPLETE <sup>3</sup>
		h3	h1	h4	ID	OD		
ES15-128	Two Stage	128	83.8	0	164	b12	b2	2000 lbs.

**3000 lbs. Capacity @ 24" Load Center ITA Class II Fork Carriage**

ES15-128	Two Stage	128	83.8	0	164	42-50	50-58	2000 lbs.
----------	-----------	-----	------	---	-----	-------	-------	-----------

<sup>3</sup> Complete weight includes truck, battery and charger